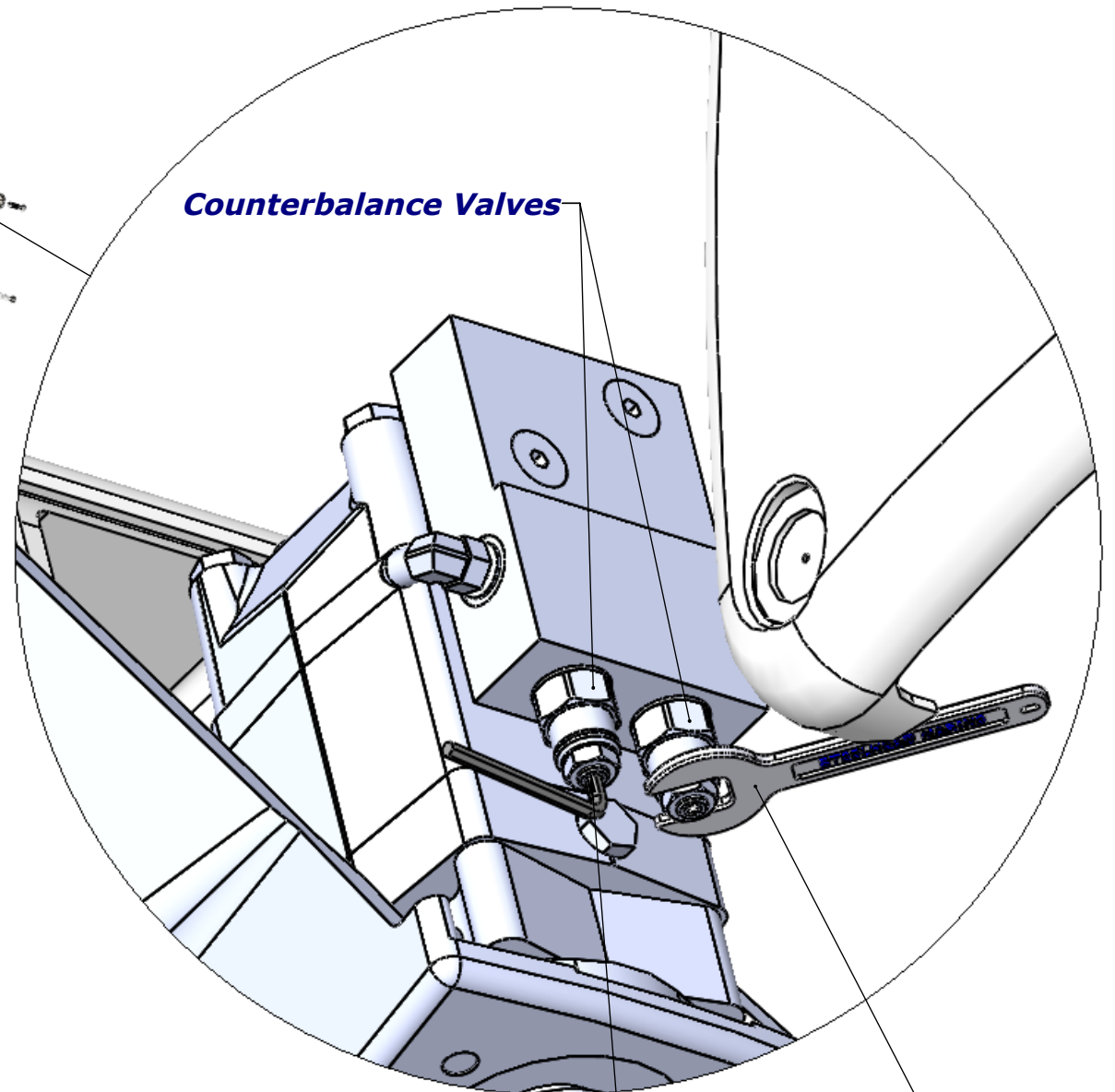
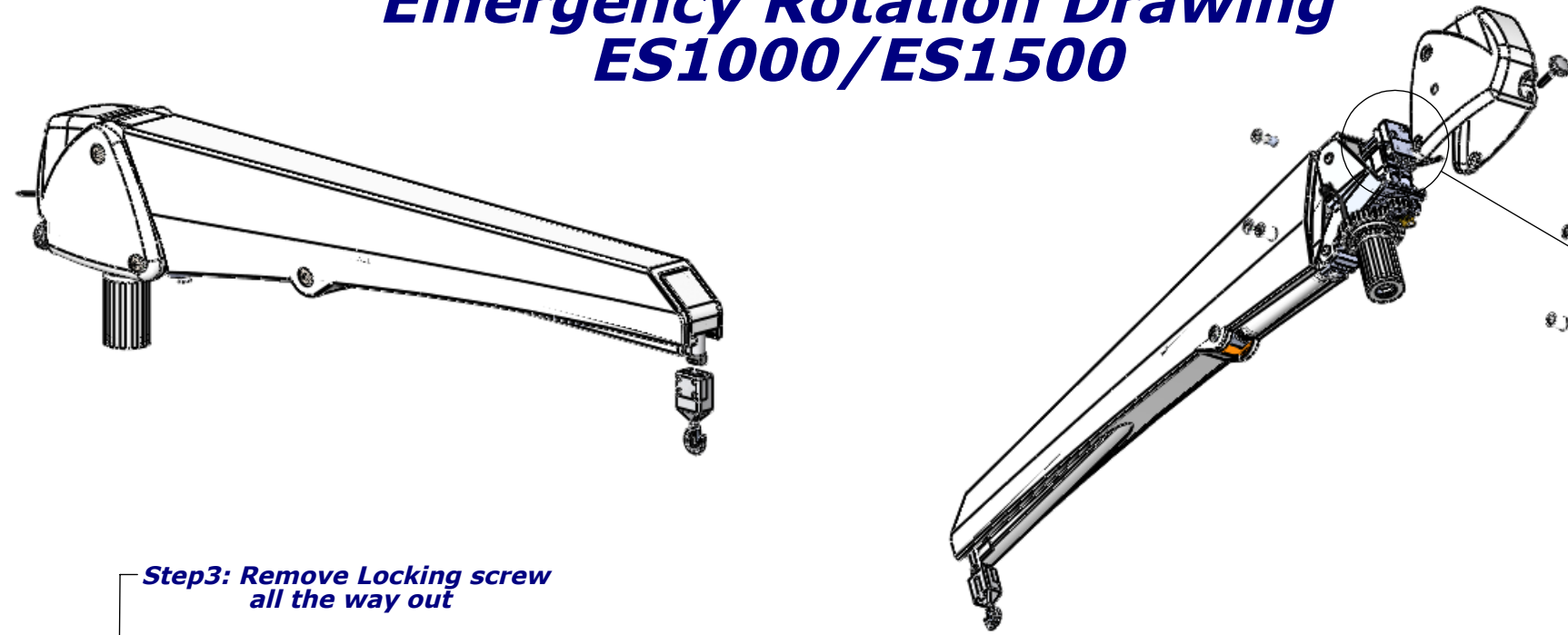
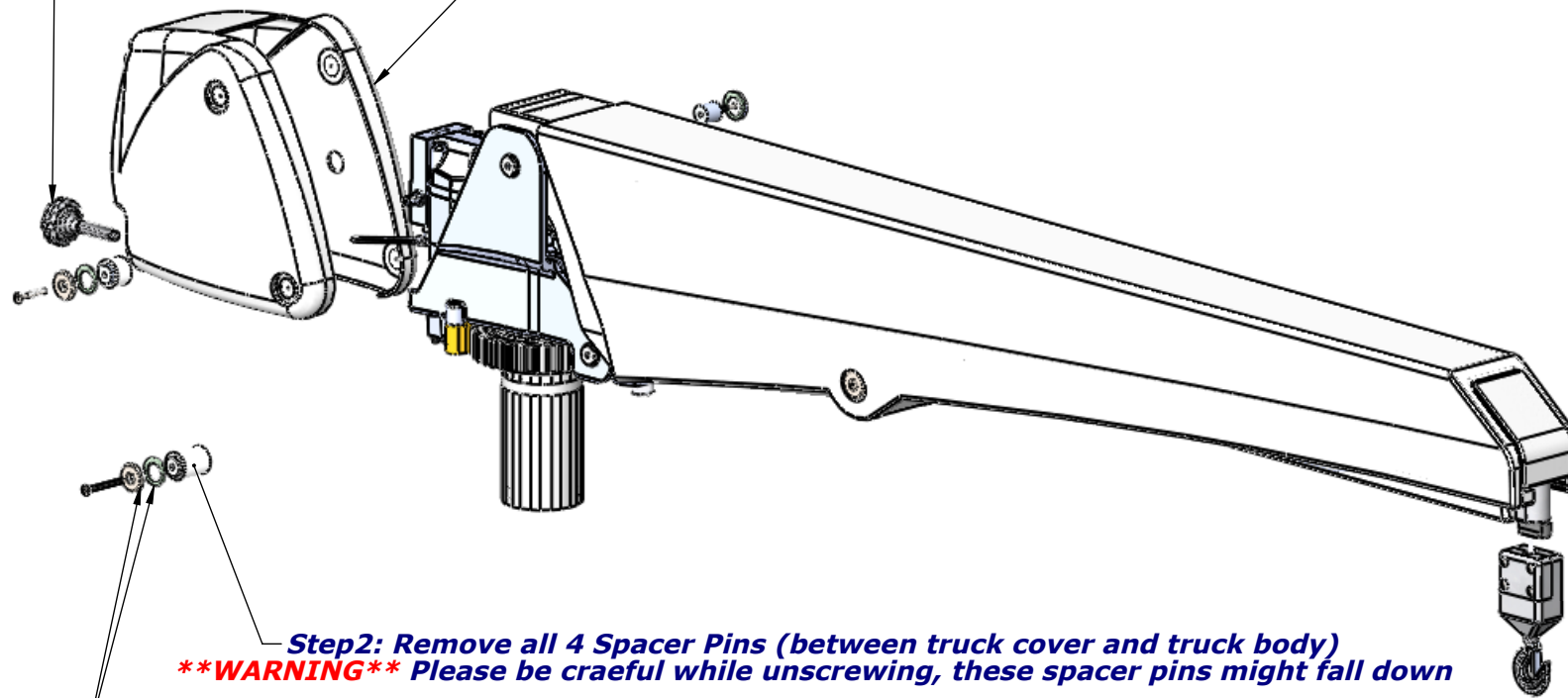


Emergency Rotation Drawing ES1000/ES1500



**Step3: Remove Locking screw
all the way out**

Step4: Remove Truck cover



Step2: Remove all 4 Spacer Pins (between truck cover and truck body)
****WARNING** Please be craeful while unscrewing, these spacer pins might fall down**

**Step1: Remove all 4 Pin Caps and Spacers
by removing the screws.(2 on each side)**

Step7: Now rotate the crane manually to storage position.
**Step8: Enable counterbalance valves back by Unscrewing back
(2-1/2" turns outward)the bottom screws on couterbalance
valve and tightening the locking nuts.**
Step9: Contact Service Representative for further assitance

**Step6: Disable the counterbalance valves
by tightening the bottom screws using 5/32"
Allen Key (Please tighten these
all the way inward)**

**Step5: Now unlock the both locking nuts on counterbalance
valves as shown using 9/16" Wrench.**

THE INFORMATION CONTAINED IN THIS DRAWING CONSTITUTES THE INTELLECTUAL PROPERTY, INCLUDING, BUT NOT LIMITED TO, KNOWLEDGE, TRADE SECRETS, AND PROPRIETARY INFORMATION WHICH IS THE EXCLUSIVE PROPERTY OF STEELHEAD MARINE LTD.. ALL INFORMATION CONTAINED IN THIS DRAWING IS TO BE HELD IN THE STRICTEST CONFIDENCE BY THE RECIPIENT, AND IS NOT TO BE COPIED, DISCLOSED TO, OR TRANSMITTED TO ANY THIRD PARTIES WITHOUT THE EXPRESS WRITTEN AUTHORIZATION OF STEELHEAD MARINE LTD.

**CAD GENERATED DRAWING.
DO NOT MANUALLY UPDATE.
*** DO NOT SCALE ***
UNLESS OTHERWISE SPECIFIED
ALL DIMENSIONS ARE IN
INCHES.**

TOLERANCES:
FRACTIONS = ±1/16
0, 0.0 = ±0.030
0.00 = ±0.010
0.000 = ±0.005
ANGLES = ±1.0

3rd ANGLE PROJ.



Unit# 2 - 5367 271 Street, Langley, B.C. Canada
Tel: 604-607-0091 Fax: 604-607-0092
Web: www.steelheadmarine.net
E-mail: sales@steelheadmarine.net

DRAWN:	G.B.
DATE:	14/11/2014
CHECKED:	G.R.
APPROVED:	
SCALE:	1:10

ES1000/ES1500	
Emergency Rotation Drawing	
PROJECT: ES1000/ES1500	
DWG. NO.:	SHEET:
ES10-SV011	1 OF 1
REV.:	