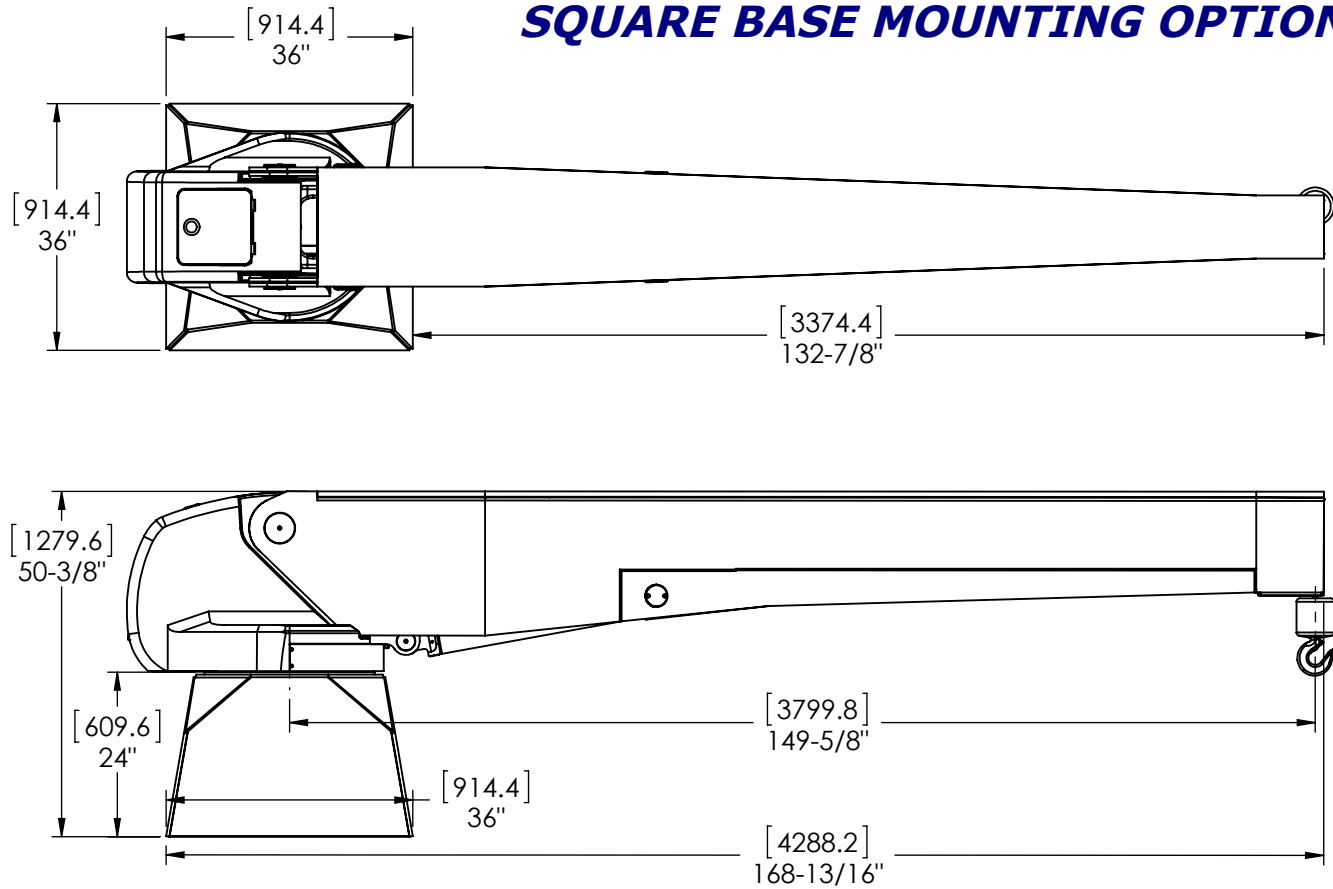
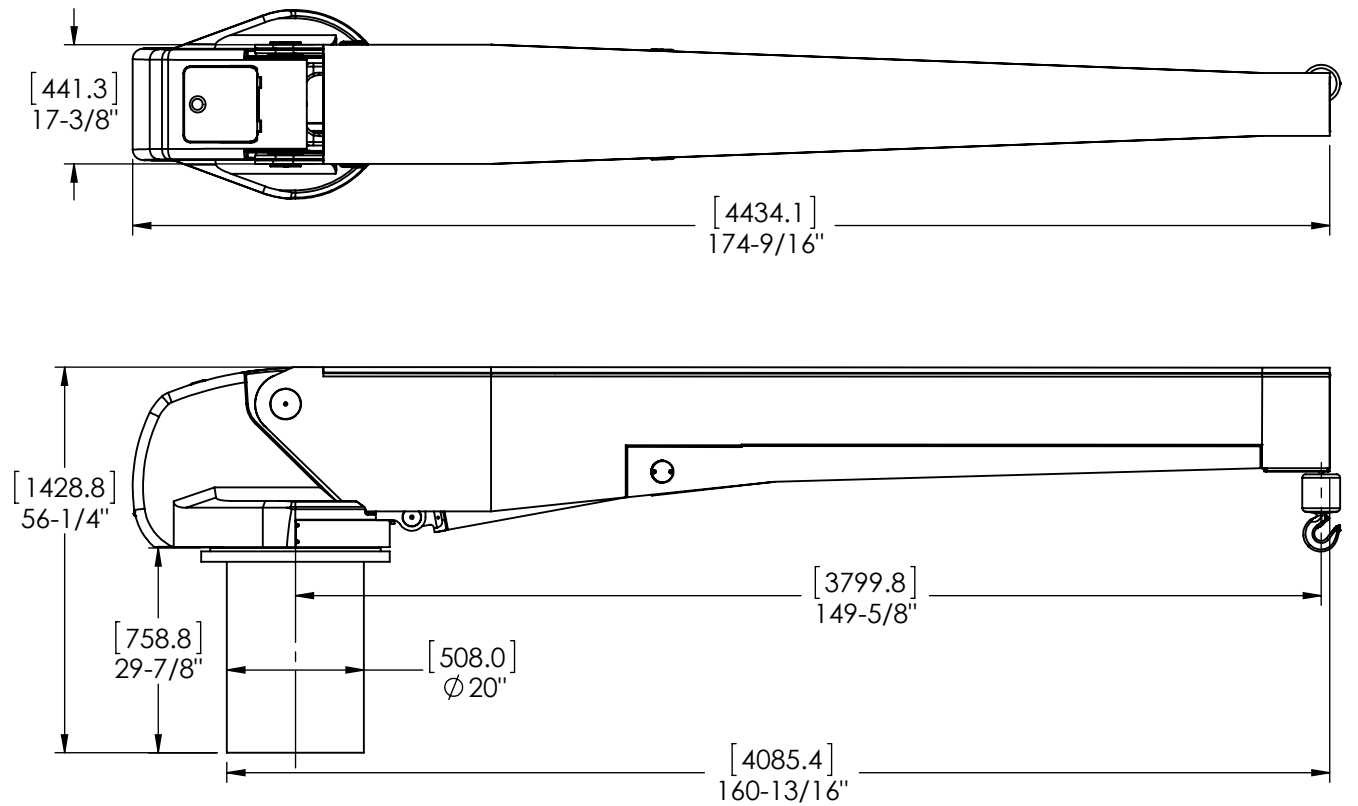


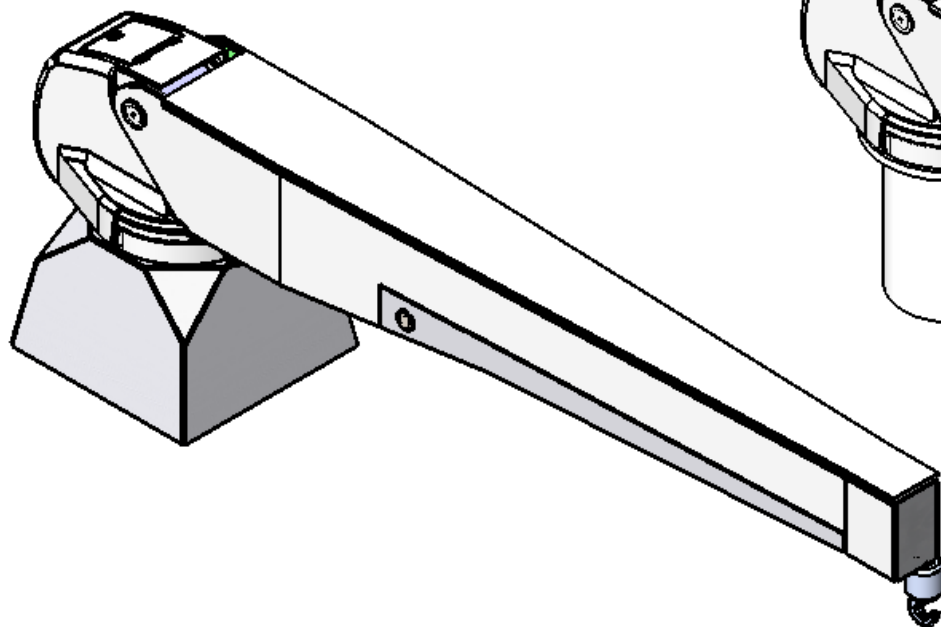
**CT6000 12.5to20ft ASSEMBLY
SQUARE BASE MOUNTING OPTION**



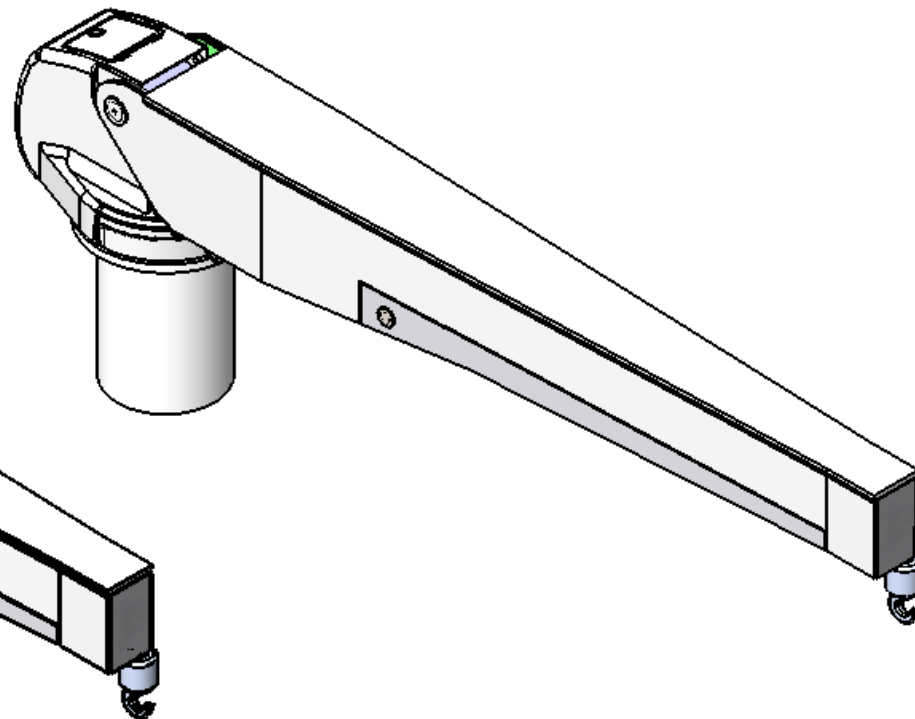
**CT6000 12.5to20ft ASSEMBLY
ROUND BASE MOUNTING OPTION**



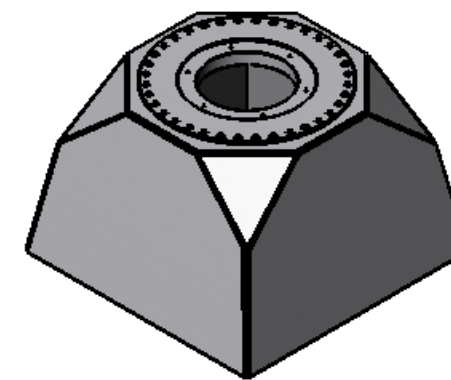
SQUARE BASE MOUNTED



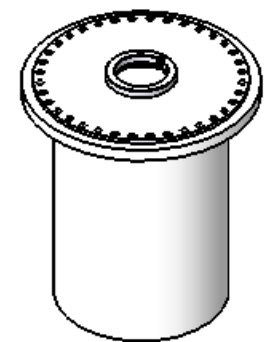
ROUND BASE MOUNTED



SQUARE BASE



ROUND BASE



THE INFORMATION CONTAINED IN THIS DRAWING CONSTITUTES THE INTELLECTUAL PROPERTY, INCLUDING, BUT NOT LIMITED TO, KNOWLEDGE, TRADE SECRETS, AND PROPRIETARY INFORMATION WHICH IS THE EXCLUSIVE PROPERTY OF STEELHEAD MARINE LTD.. ALL INFORMATION CONTAINED IN THIS DRAWING IS TO BE HELD IN THE STRICTEST CONFIDENCE BY THE RECIPIENT, AND IS NOT TO BE COPIED, DISCLOSED TO, OR TRANSMITTED TO ANY THIRD PARTIES WITHOUT THE EXPRESS WRITTEN AUTHORIZATION OF STEELHEAD MARINE LTD.

**CAD GENERATED DRAWING.
DO NOT MANUALLY UPDATE.
*** DO NOT SCALE ***
UNLESS OTHERWISE SPECIFIED
ALL DIMENSIONS ARE IN
INCHES.**

TOLERANCES:
FRACTIONS = ±1/16
0, 0.0 = ±0.030
0.00 = ±0.010
0.000 = ±0.005
ANGLES = ±1.0

3rd ANGLE PROJ.



Unit# 2 - 5367 271 Street, Langley, B.C. Canada
Tel: 604-607-0091 Fax: 604-607-0092
Web: www.steelheadmarine.net
E-mail: sales@steelheadmarine.net

DRAWN:	G.B.
DATE:	13/11/2014
CHECKED:	
APPROVED:	
SCALE:	1:28

**CT6000 12.5to20ft ASSY
MOUNTED ON MULTIPLE BASES
PROJECT: CT6000**

DWG. NO.:	SHEET:	REV.:
CT6000 12-5to20ft On Base	1	1