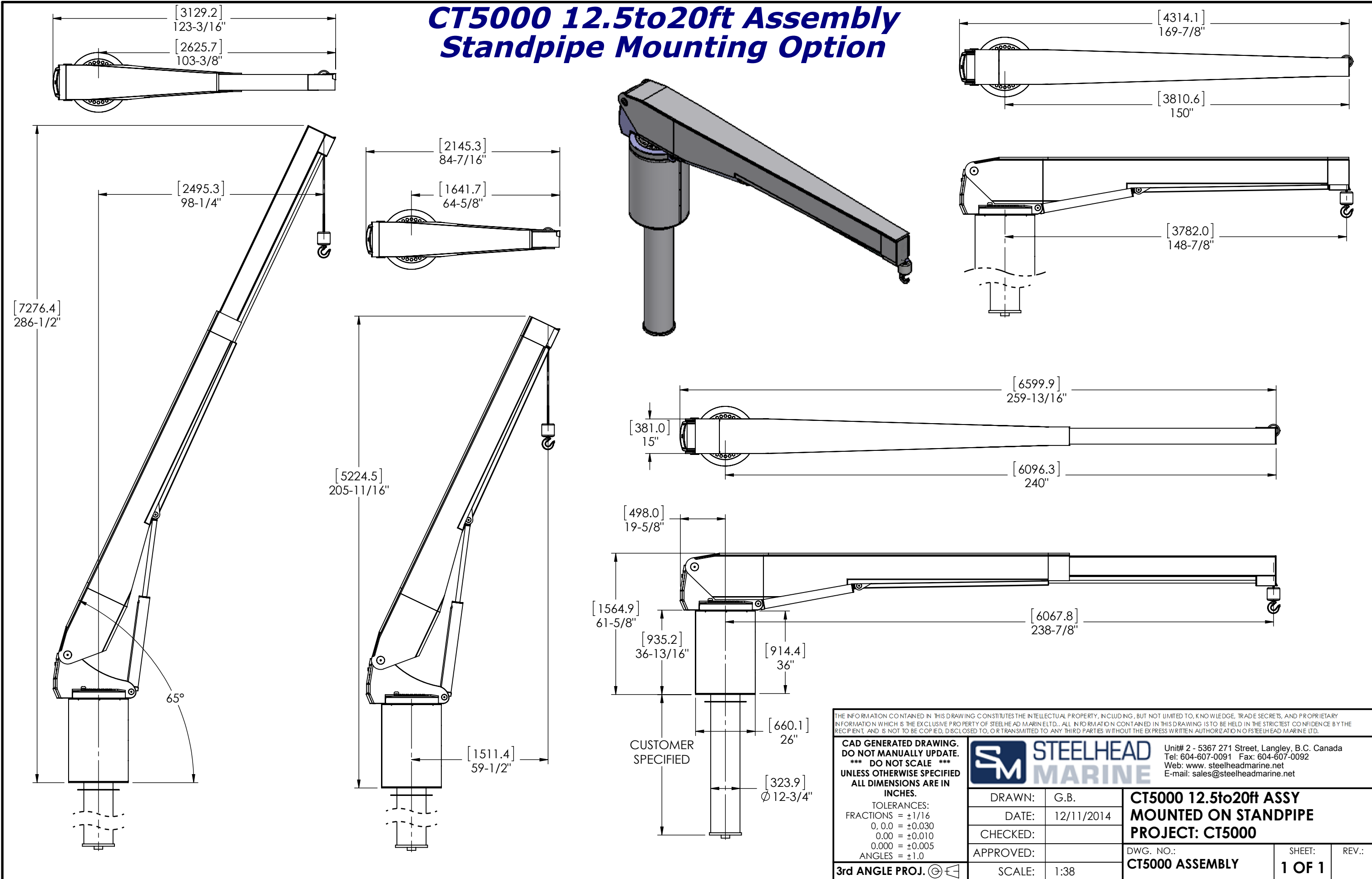


# CT5000 12.5to20ft Assembly Standpipe Mounting Option



THE INFORMATION CONTAINED IN THIS DRAWING CONSTITUTES THE INTELLECTUAL PROPERTY, INCLUDING, BUT NOT LIMITED TO, KNOWLEDGE, TRADE SECRETS, AND PROPRIETARY INFORMATION WHICH IS THE EXCLUSIVE PROPERTY OF STEELHEAD MARINE LTD.. ALL INFORMATION CONTAINED IN THIS DRAWING IS TO BE HELD IN THE STRICTEST CONFIDENCE BY THE RECIPIENT, AND IS NOT TO BE COPIED, DISCLOSED TO, OR TRANSMITTED TO ANY THIRD PARTIES WITHOUT THE EXPRESS WRITTEN AUTHORIZATION OF STEELHEAD MARINE LTD.

**CAD GENERATED DRAWING.  
DO NOT MANUALLY UPDATE.  
\*\*\* DO NOT SCALE \*\*\*  
UNLESS OTHERWISE SPECIFIED  
ALL DIMENSIONS ARE IN  
INCHES.**

TOLERANCES:  
FRACTIONS = ±1/16  
0, 0.0 = ±0.030  
0.00 = ±0.010  
0.000 = ±0.005  
ANGLES = ±1.0

**3rd ANGLE PROJ.**

DRAWN:	G.B.	<b>CT5000 12.5to20ft ASSY MOUNTED ON STANDPIPE PROJECT: CT5000</b>	DWG. NO.: <b>CT5000 ASSEMBLY</b>	SHEET: <b>1 OF 1</b>	REV.:
DATE:	12/11/2014				
CHECKED:					
APPROVED:					
SCALE:	1:38				

Unit# 2 - 5367 271 Street, Langley, B.C. Canada  
Tel: 604-607-0091 Fax: 604-607-0092  
Web: www.steelheadmarine.net  
E-mail: sales@steelheadmarine.net