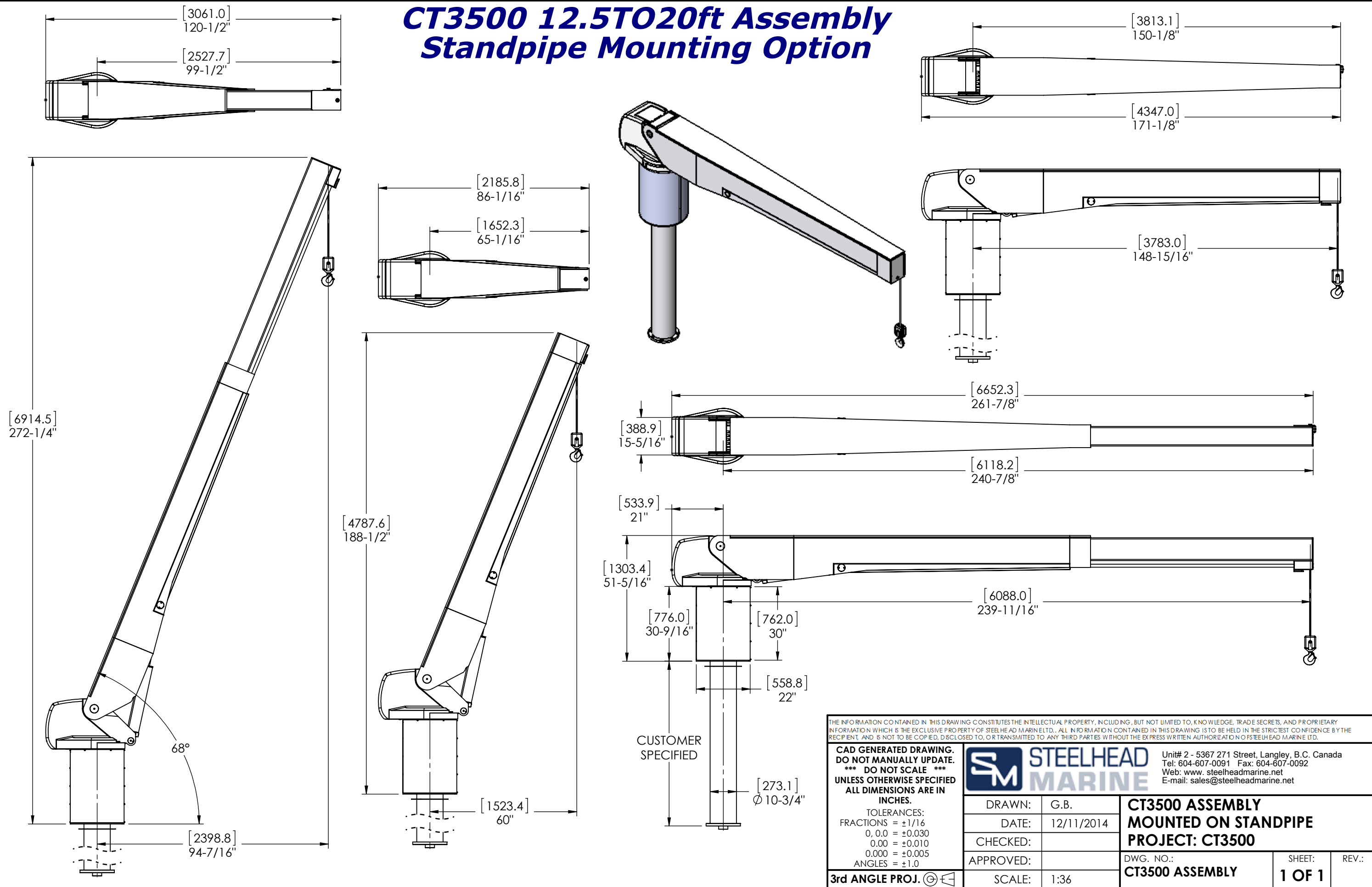


CT3500 12.5T020ft Assembly Standpipe Mounting Option



THE INFORMATION CONTAINED IN THIS DRAWING CONSTITUTES THE INTELLECTUAL PROPERTY, INCLUDING, BUT NOT LIMITED TO, KNOWLEDGE, TRADE SECRETS, AND PROPRIETARY INFORMATION WHICH IS THE EXCLUSIVE PROPERTY OF STEELHEAD MARINE LTD.. ALL INFORMATION CONTAINED IN THIS DRAWING IS TO BE HELD IN THE STRICTEST CONFIDENCE BY THE RECIPIENT, AND IS NOT TO BE COPIED, DISCLOSED TO, OR TRANSMITTED TO ANY THIRD PARTIES WITHOUT THE EXPRESS WRITTEN AUTHORIZATION OF STEELHEAD MARINE LTD.

**CAD GENERATED DRAWING.
DO NOT MANUALLY UPDATE.
*** DO NOT SCALE ***
UNLESS OTHERWISE SPECIFIED
ALL DIMENSIONS ARE IN
INCHES.**

TOLERANCES:
FRACTIONS = ±1/16
0, 0.0 = ±0.030
0.00 = ±0.010
0.000 = ±0.005
ANGLES = ±1.0

3rd ANGLE PROJ.

DRAWN:	G.B.	CT3500 ASSEMBLY MOUNTED ON STANDPIPE PROJECT: CT3500	DWG. NO.: CT3500 ASSEMBLY	SHEET: 1 OF 1	REV.:
DATE:	12/11/2014				
CHECKED:					
APPROVED:					
SCALE:	1:36				

STEELHEAD MARINE
 Unit# 2 - 5367 271 Street, Langley, B.C. Canada
 Tel: 604-607-0091 Fax: 604-607-0092
 Web: www.steelheadmarine.net
 E-mail: sales@steelheadmarine.net