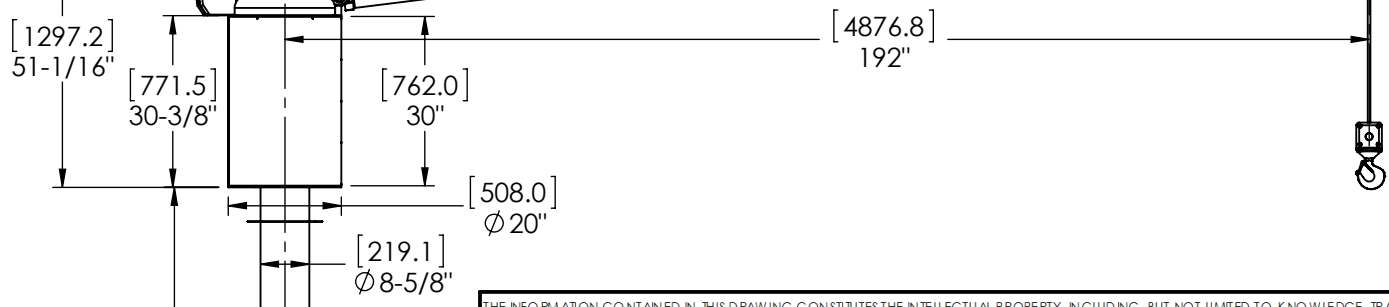
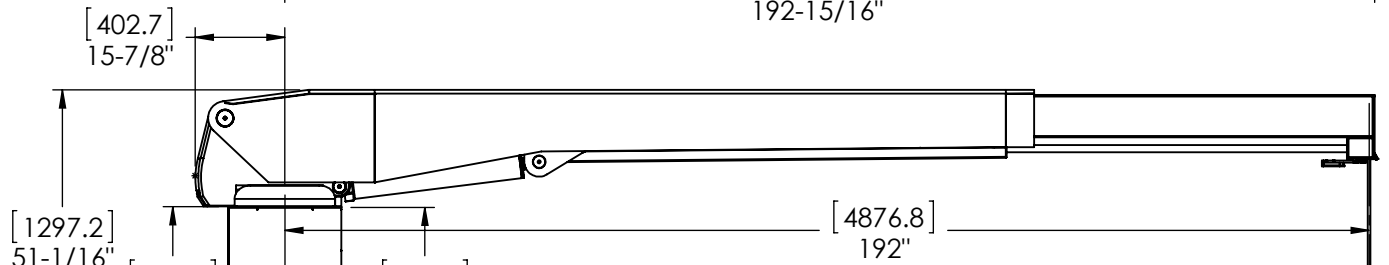
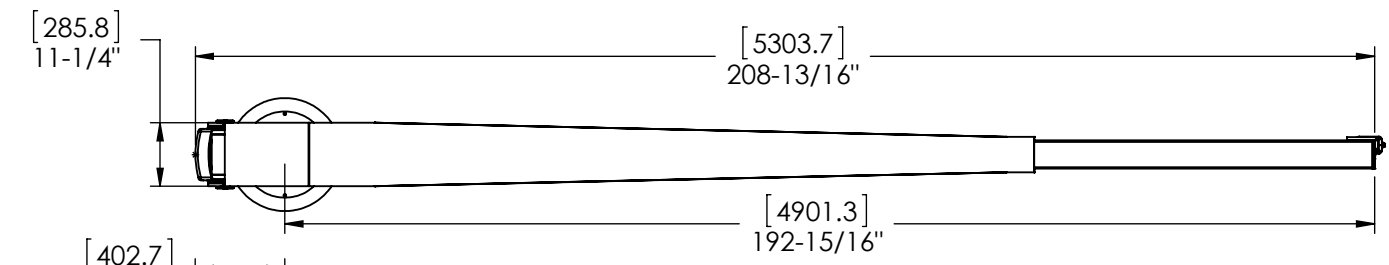
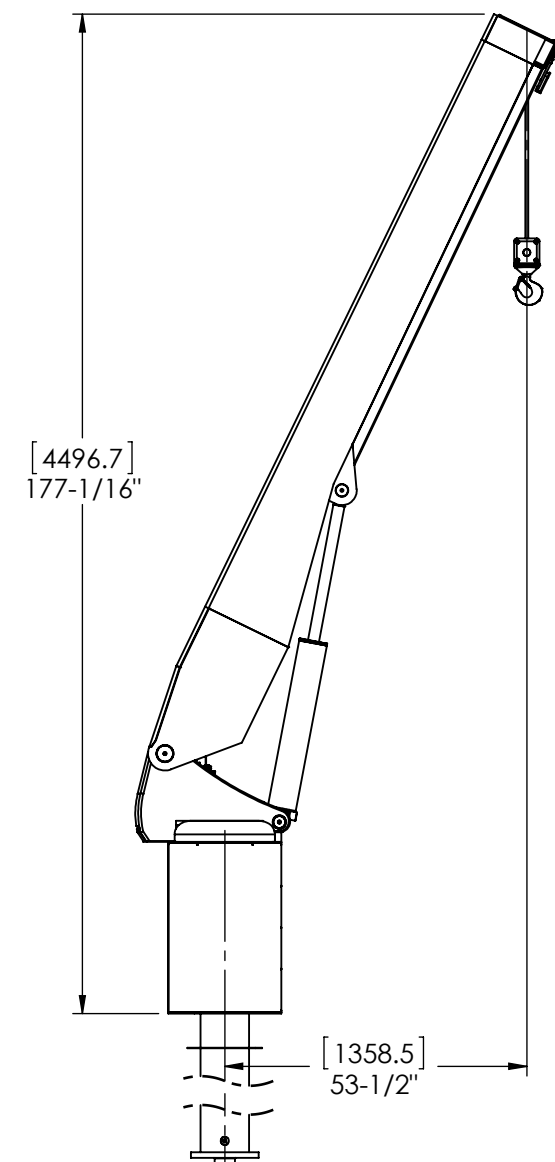
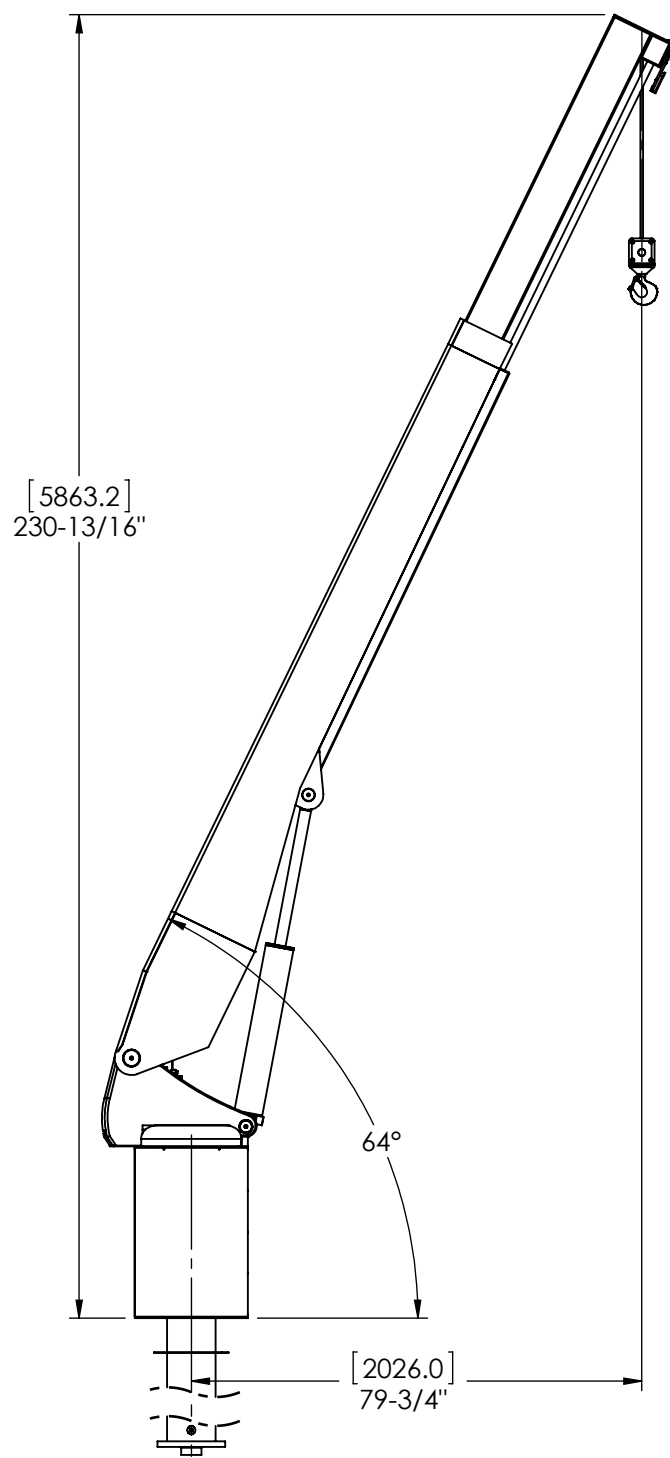
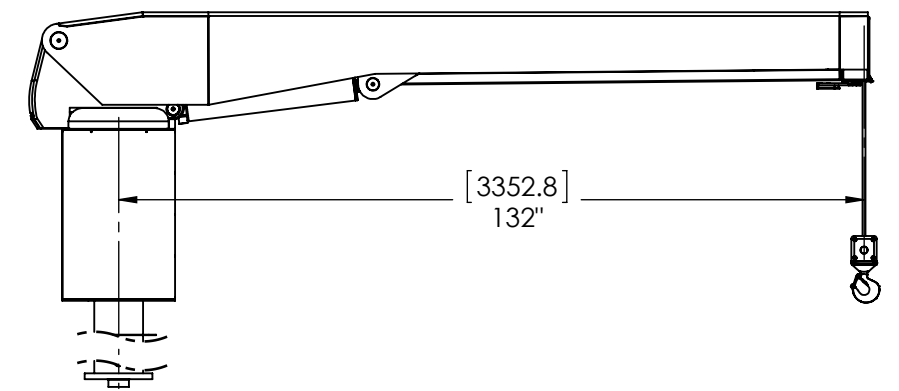
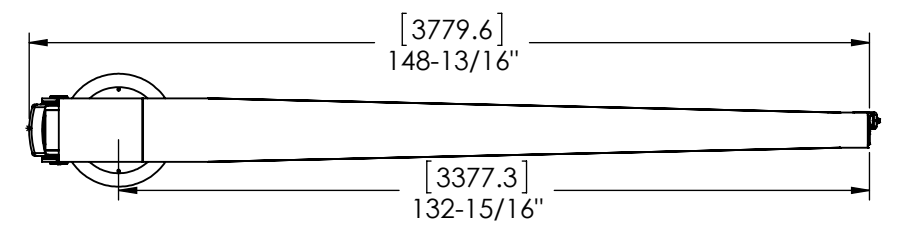
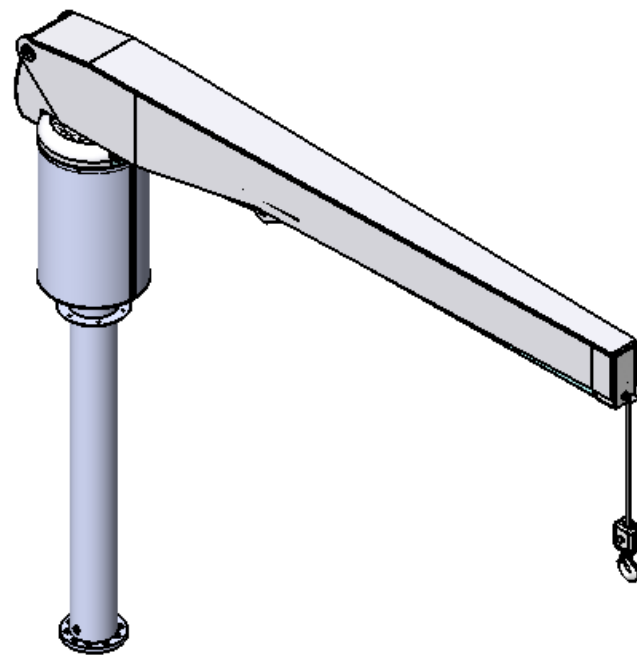
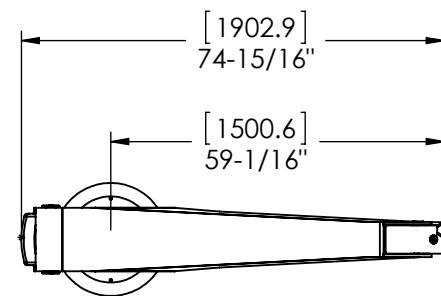
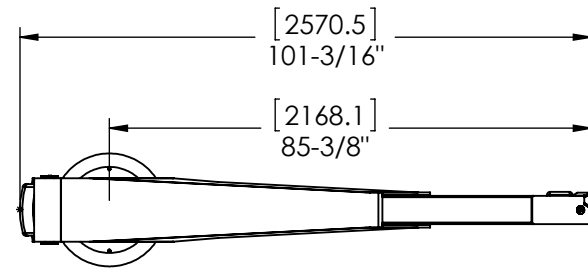


# CT2500 11to16ft Assembly Standpipe mounting option



CUSTOMER SPECIFIED

THE INFORMATION CONTAINED IN THIS DRAWING CONSTITUTES THE INTELLECTUAL PROPERTY, INCLUDING, BUT NOT LIMITED TO, KNOWLEDGE, TRADE SECRETS, AND PROPRIETARY INFORMATION WHICH IS THE EXCLUSIVE PROPERTY OF STEELHEAD MARINE LTD.. ALL INFORMATION CONTAINED IN THIS DRAWING IS TO BE HELD IN THE STRICTEST CONFIDENCE BY THE RECIPIENT, AND IS NOT TO BE COPIED, DISCLOSED TO, OR TRANSMITTED TO ANY THIRD PARTIES WITHOUT THE EXPRESS WRITTEN AUTHORIZATION OF STEELHEAD MARINE LTD.

**CAD GENERATED DRAWING. DO NOT MANUALLY UPDATE. \*\*\* DO NOT SCALE \*\*\* UNLESS OTHERWISE SPECIFIED ALL DIMENSIONS ARE IN INCHES.**

TOLERANCES:  
FRACTIONS = ±1/16  
0, 0.0 = ±0.030  
0.00 = ±0.010  
0.000 = ±0.005  
ANGLES = ±1.0

**3rd ANGLE PROJ.**

**STEELHEAD MARINE**  
Unit# 2 - 5367 271 Street, Langley, B.C. Canada  
Tel: 604-607-0091 Fax: 604-607-0092  
Web: www.steelheadmarine.net  
E-mail: sales@steelheadmarine.net

DRAWN:	G.B.	<b>CT2500 11to16ft ASSEMBLY MOUNTED ON STANDPIPE PROJECT: CT2500</b>	DWG. NO.:	SHEET:	REV.:
DATE:	6/11/2014				
CHECKED:		<b>CT2500 11to16ft ASSEMBLY OF 1</b>			
APPROVED:					
SCALE:	1:34				