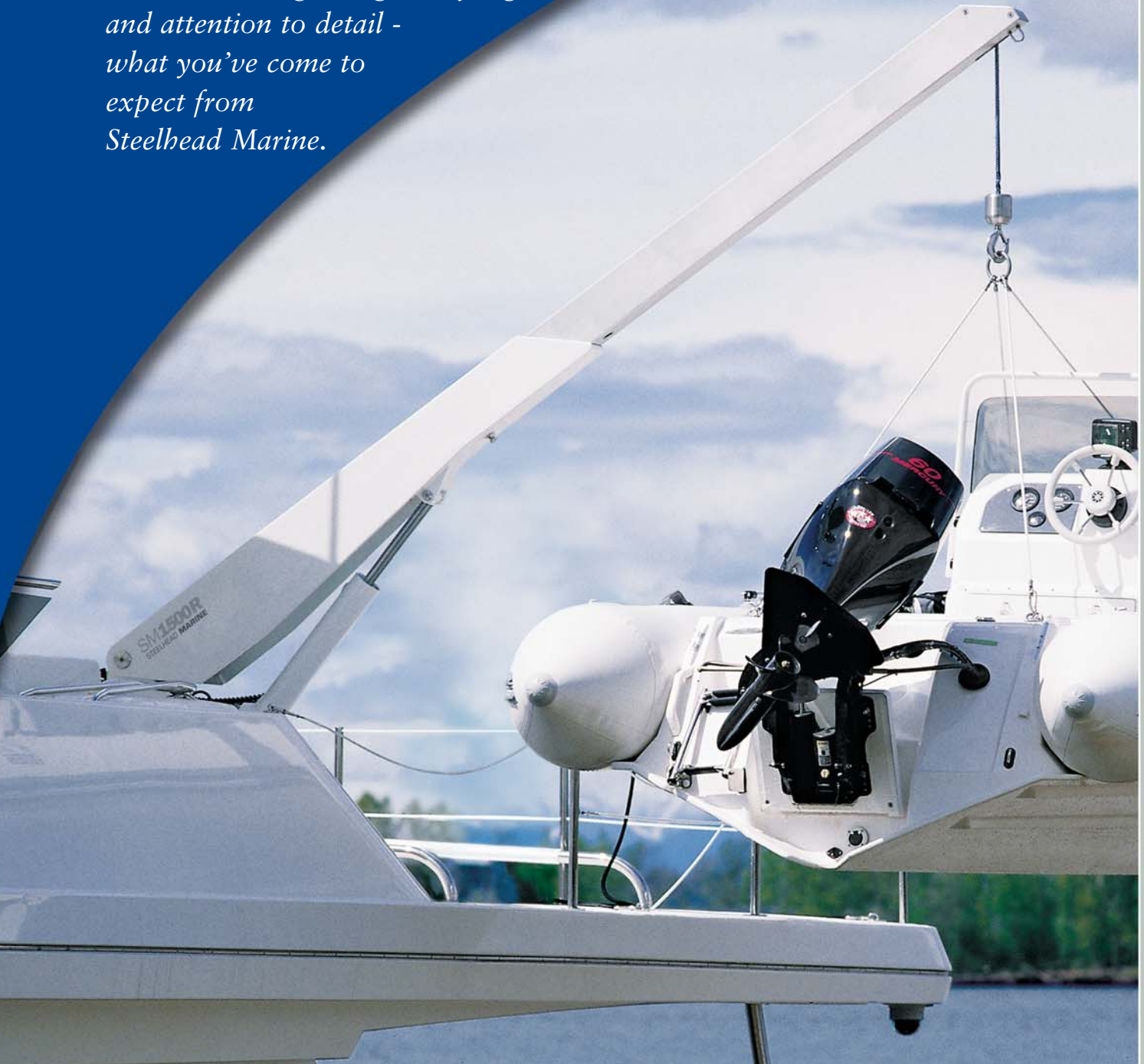


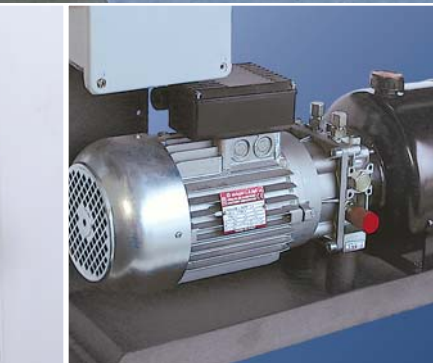


yacht cranes

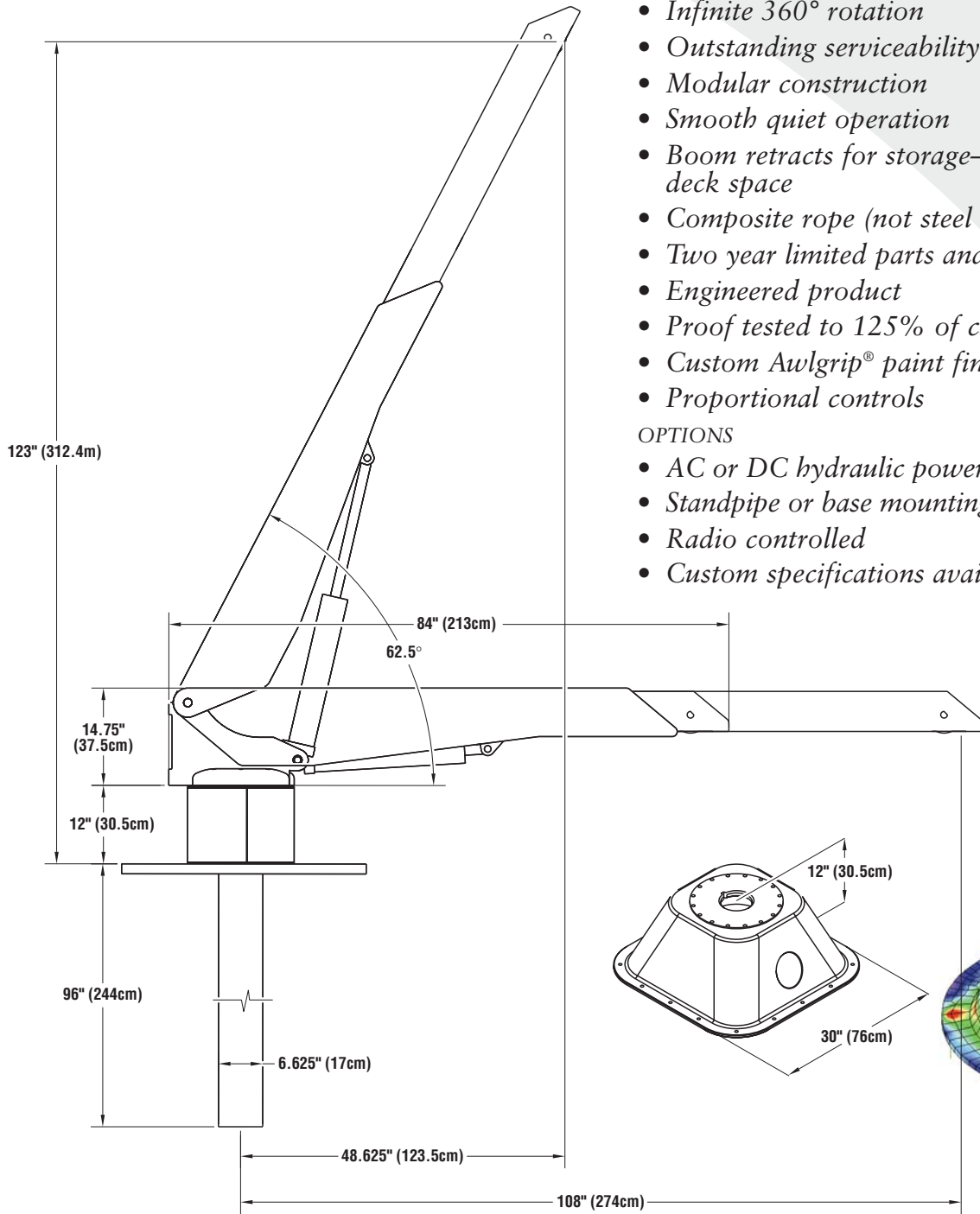
*Innovative design, elegant styling
and attention to detail -
what you've come to
expect from
Steelhead Marine.*



21,000 ft-lb SM 1500R / SM 2000R



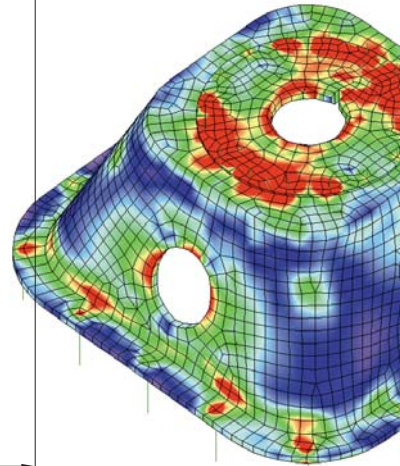
21,000 ft-lb SM 1500R / SM 2000R



- Infinite 360° rotation
- Outstanding serviceability
- Modular construction
- Smooth quiet operation
- Boom retracts for storage—freeing up deck space
- Composite rope (not steel cable)
- Two year limited parts and labor warranty
- Engineered product
- Proof tested to 125% of capacity
- Custom Awlgrip® paint finish
- Proportional controls

OPTIONS

- AC or DC hydraulic power units
- Standpipe or base mounting
- Radio controlled
- Custom specifications available upon request



	CAPACITY	REACH	SAFETY FACTOR	WEIGHT	HOIST CABLE	CABLE SF	HOIST HEIGHT	WINCH TYPE	2 FUNCTION HYDRAULICS
SM 2000R	2000 lbs (909Kg)	108" (274cm)	2.25:1	384 lbs (174.5Kg)	3/8" Amsteel Blue	10:1	20' (610cm)	Linear	Luffing, Winch, Rotation
SM 1500R	1500 lbs (682Kg)	108" (274cm)	3:1	384 lbs (174.5Kg)	5/16" Amsteel Blue	9:1	20' (610cm)	Linear	Luffing, Winch, Rotation



Steelhead Marine Ltd.
 7057 Beatty Drive, Mission, BC, Canada V2V 6C4
 Tel: 604.826.1668 Fax: 604.826.9992
 E-mail: steelheadmarine@telus.net
 Web: www.steelheadmarine.net
 © 2002 Steelhead Marine Ltd. Printed in Canada

Dealer/Distributor