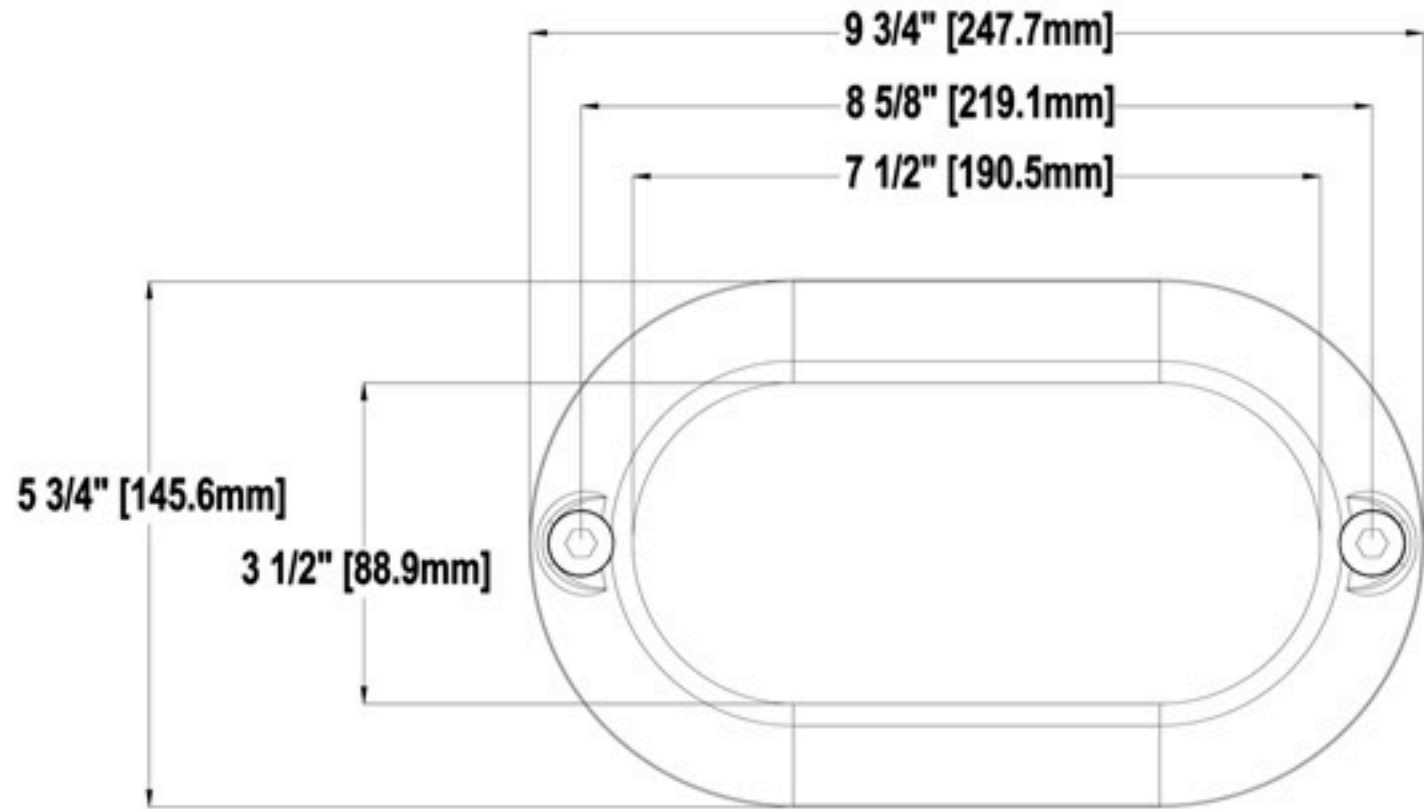


# Hawse 1000



**WEIGHT 3" SPIGOT 6.8 LBS.**  
**WEIGHT 5" SPIGOT 8.9 LBS.**