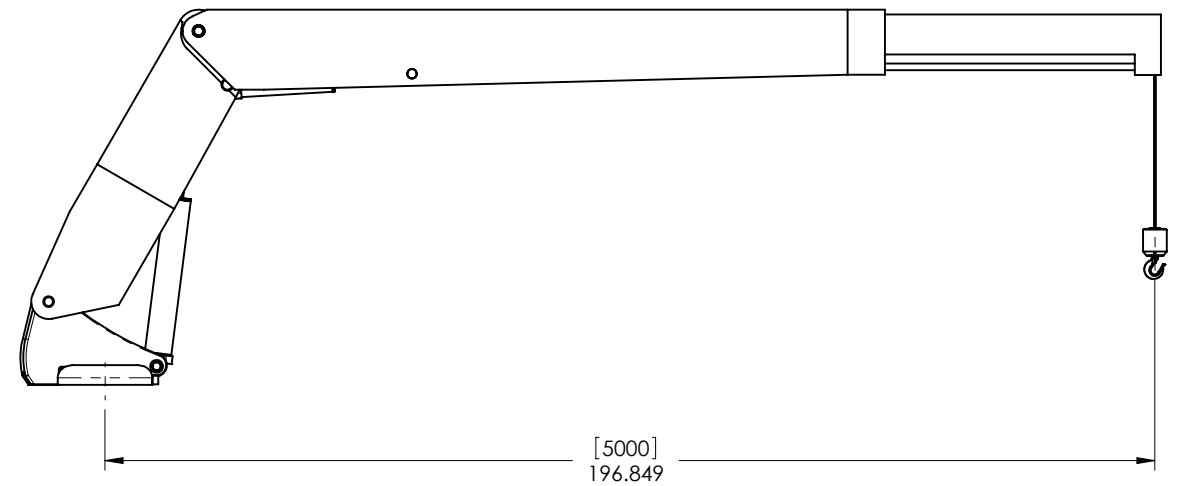
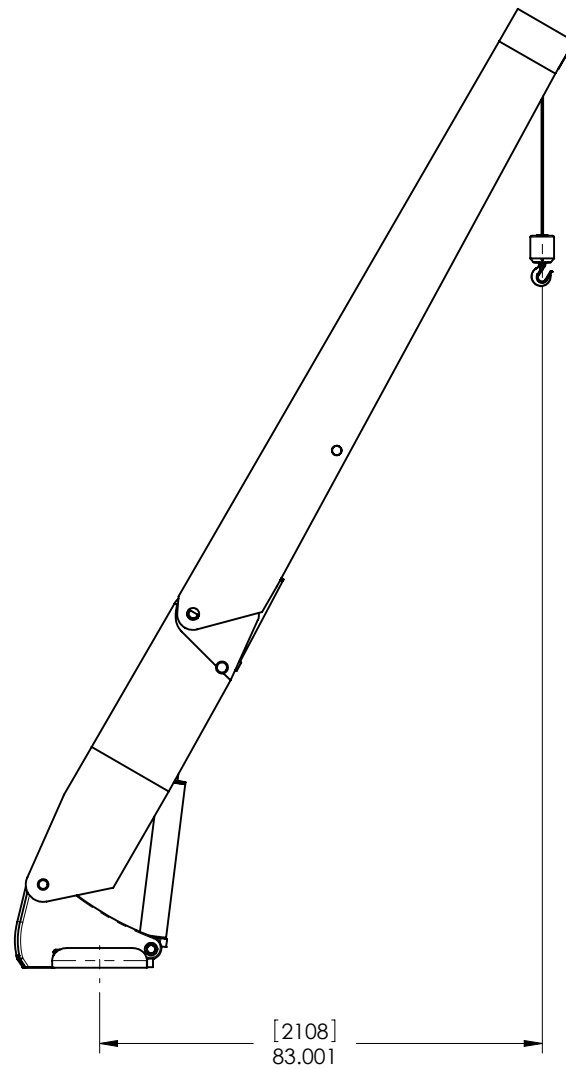
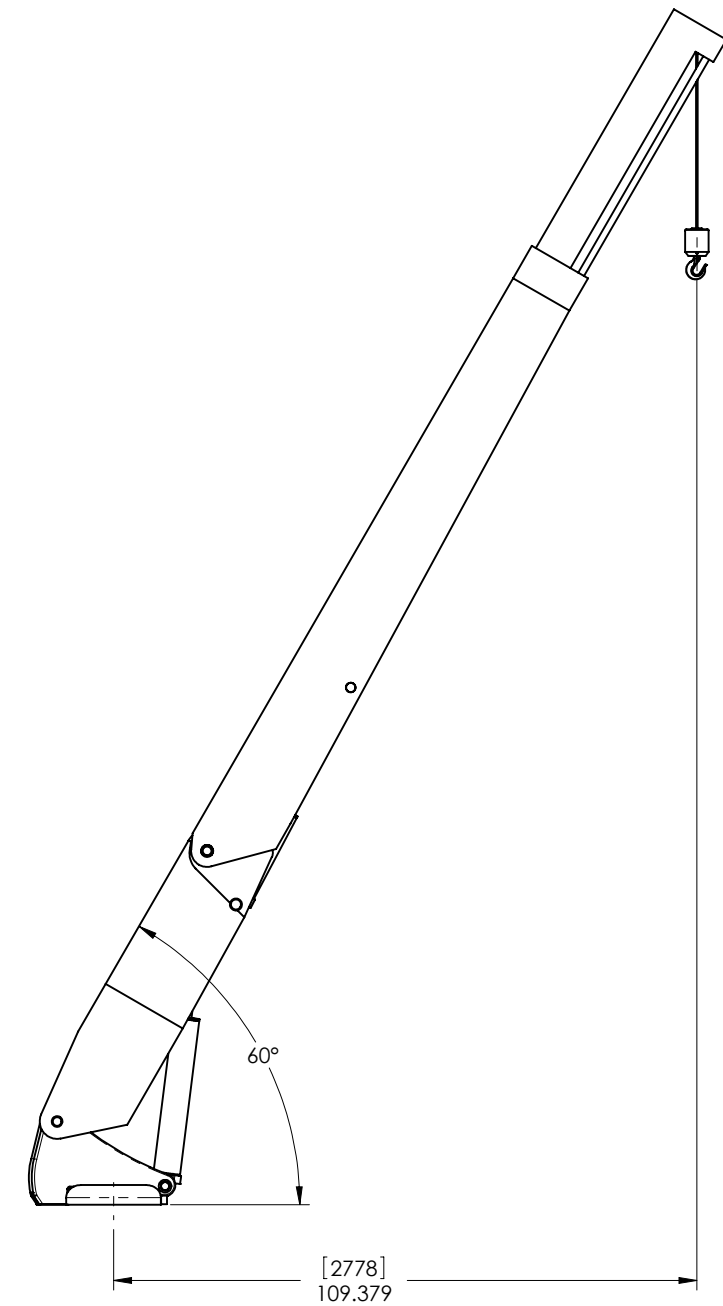
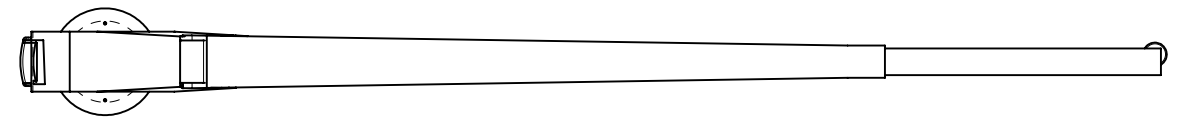
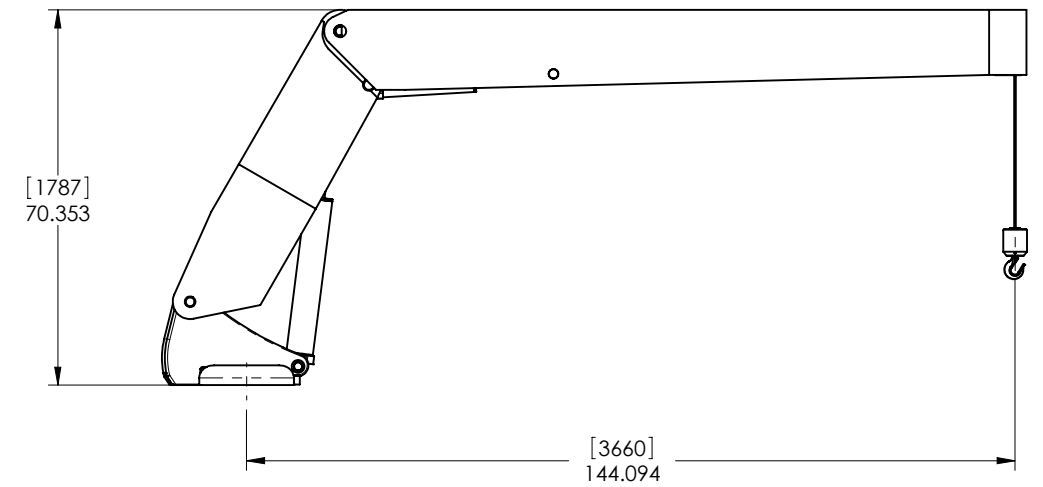
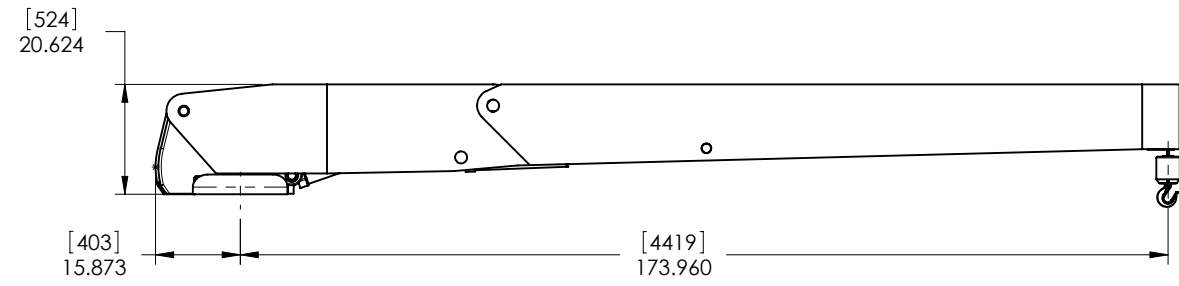


CT2500 Lay-Down Crane 3.66m to 5.00m Reach



THE INFORMATION CONTAINED IN THIS DRAWING CONSTITUTES THE INTELLECTUAL PROPERTY, INCLUDING, BUT NOT LIMITED TO, KNOWLEDGE, TRADE SECRETS, AND PROPRIETARY INFORMATION WHICH IS THE EXCLUSIVE PROPERTY OF STEELHEAD MARINE LTD.. ALL INFORMATION CONTAINED IN THIS DRAWING IS TO BE HELD IN THE STRICTEST CONFIDENCE BY THE RECIPIENT, AND IS NOT TO BE COPIED, DISCLOSED TO, OR TRANSMITTED TO ANY THIRD PARTIES WITHOUT THE EXPRESS WRITTEN AUTHORIZATION OF STEELHEAD MARINE LTD.

**CAD GENERATED DRAWING.
DO NOT MANUALLY UPDATE.
*** DO NOT SCALE ***
UNLESS OTHERWISE SPECIFIED
ALL DIMENSIONS ARE IN
INCHES.**



STEELHEAD MARINE LTD.

7057 Beatty Drive Mission, B.C. Canada
Tel: 604-826-1668 Fax: 604-826-9992
Web: www.steelheadmarine.net
E-mail: steelheadmarine@telus.net

TOLERANCES:
FRACTIONS = ±1/16
0, 0.0 = ±0.030
0.00 = ±0.010
0.000 = ±0.005
ANGLES = ±1.0

DRAWN:	G.R.
DATE:	03/03/2009
CHECKED:	D.H.
APPROVED:	
SCALE:	1:36

**2500LB LAY-DOWN CRANE
3.66m TO 5.00m REACH
PROJECT: CT25-LDC**

3rd ANGLE PROJ.

DWG. NO.:	SHEET:	REV.:
CT25-LDC-Rev 1	1 OF 1	