



Bayliner 47' Davit Retro-fit



Seattle, WA, October 2006 — The owners of a 47' Bayliner needed a better davit solution and sought help from Granville Marine in Anacortes, WA. They were frustrated with their existing factory-fitted davit that was not performing to their expectations.

Granville Marine contacted Steelhead Marine for a davit solution and concluded that a Steelhead crane could be installed on the yacht with some simple, cost-effective modifications. Steelhead retro-fitted a new 800lb-capacity Whisper Davit by modifying the original factory-fitted mount. The Bayliner owners now have a sleek, new Whisper Davit that performs beautifully.



*"The retro-fit was easy because we used the existing Bayliner hardware and it proved to be a great modification for the aging Bayliner cranes. The entire retro-fit, including haul-out, **was achieved in less than 2-days** after receiving the davit. This is a **very cost-effective solution** for Bayliner owners looking for a davit upgrade."*
Russ Boggs, Granville Marine, Anacortes, WA.

The Steelhead Whisper Davit is an affordable solution for a variety of applications. It's an entry-level hydraulic davit with manual rotation and luffing with a pin style boom. Standard features include standpipe mount, hydraulic power unit and linear winch. Options include power luffing and a variety of base and standpipe mounts that can be custom designed to suit most requirements.

Steelhead Marine has served the marine industry for over 20 years producing the strongest and lightest high-performance yacht cranes, fuel tanks and high quality marine hardware.



For more information on the Whisper Davit line or any other crane models, please click through to our website. Or call us and we can provide you with a quote. If you know someone that has an under-performing davit that needs an upgrade call us to see what we can do for you.

Steelhead Marine Ltd.

7057 Beatty Drive, Mission BC V2V 6C4

Tel: **(604) 826-1668** Email: bmurphy@steelheadmarine.net

Fax: (604) 826-9992

Website: www.steelheadmarine.net

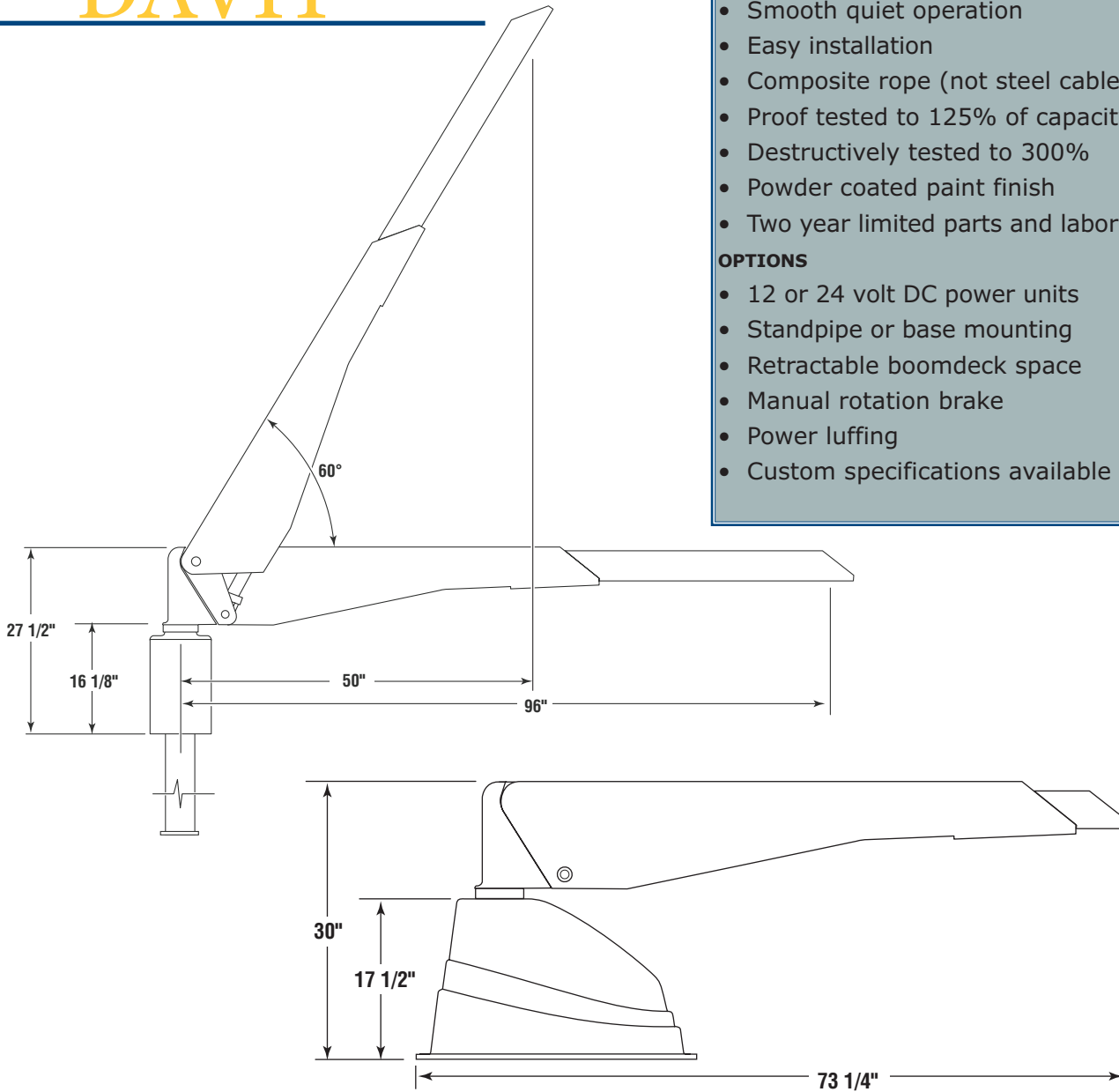
WHISPER DAVIT

SPECS

- 355° rotation
- Smooth quiet operation
- Easy installation
- Composite rope (not steel cable)
- Proof tested to 125% of capacity
- Destructively tested to 300%
- Powder coated paint finish
- Two year limited parts and labor warranty

OPTIONS

- 12 or 24 volt DC power units
- Standpipe or base mounting
- Retractable boomdeck space
- Manual rotation brake
- Power luffing
- Custom specifications available upon request



	CAPACITY	REACH	SAFETY FACTOR	WEIGHT	HOIST CABLE	CABLE SF	HOIST HEIGHT	WINCH TYPE	SINGLE FUNCTION HYDRAULICS
WD 600	600 lbs (272Kg) 4,800 ft-lbs	8' (244cm)	3:1	215 lbs* (98Kg)	1/4" Amsteel Blue	13:1	17' (518cm)	Linear	Winch
WD 800	800 lbs (364Kg) 6,400 ft-lbs	8' (244cm)	3:1	215 lbs* (98Kg)	1/4" Amsteel Blue	10:1	17' (518cm)	Linear	Winch
WD1000	1000 lbs (455Kg) 8,000 ft-lbs	8' (244cm)	3:1	215 lbs* (98Kg)	1/4" Amsteel Blue	8:1	17' (518cm)	Linear	Winch

*Weight includes standpipe and shear transfer collar assembly.